

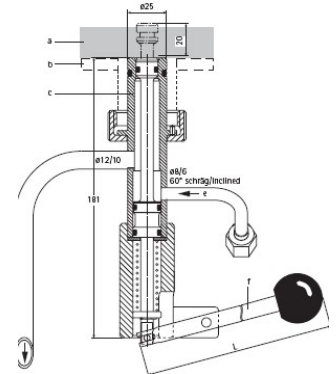
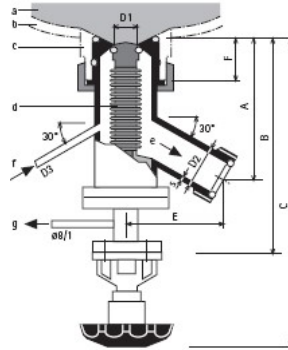
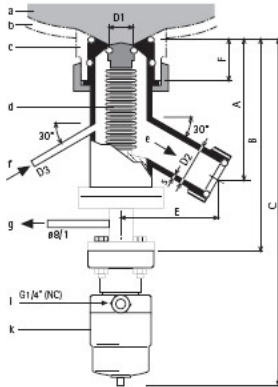
..... *Inses infodesk*

Harvesting valves

DN12 DN25 DN20 ... 80

DN100/150

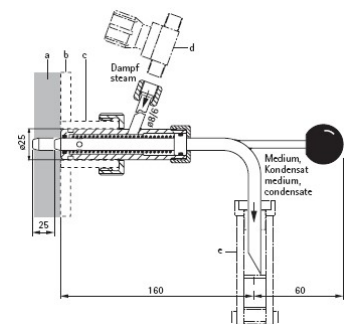
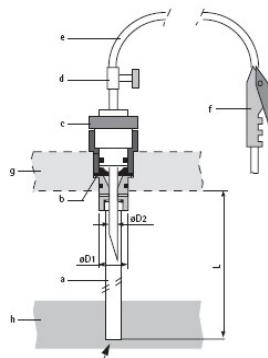
Bioengineering harvesting valves or bottom drain valves are steam sterilizable and can be fitted to any vessel bottom, equipped with either a manual or pneumatic actuator.



Sampling valves

DN12 - DN25

The Bioengineering sampling valve series provides a sterile tool for taking samples without the risk of contaminating the fermenter broth.

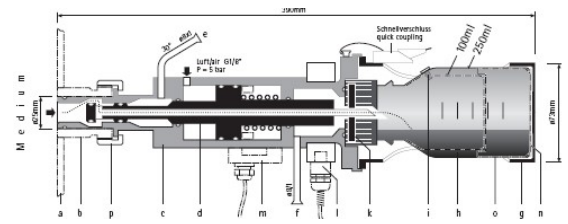
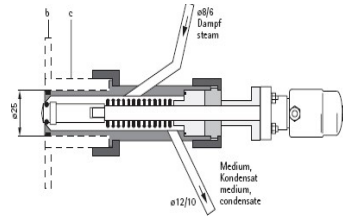


Sampling through the lid is achieved by the hypodermic needle technique using varied lengths of immersion tubes.

Other sampling valves are fitted into a standard lateral port $\varnothing 25\text{mm}$.

For containment and aerosol free sampling a special contained sampling valve is available.

Manual and pneumatic



INSES INSTRUMENTS AND SERVICES
110, Orient Plaza, 1, Ramtekdi Rd, Pune -411013
Email: info@insestinstruments.com